

FlexHammer™ FH1500 Mobile



The ultimate mobile FlexHammer™ unit

- » Outstanding performance with 35 years of built-in experience.
- » The FlexHammer™ system combines outstanding performance with mobility.
- » Swedish quality.



Solutions for industrial recycling

Solutions in waste handling

IQR FlexHammer™ 1800 Mobile Unit



WELL KNOWN FOR IT'S UNBEATEN CAPACITY AND FLEXIBILITY.

The FH1500 Mobile Unit is a well known all purpose, heavy duty, high capacity hammermill of industrial quality standard.

Typical feed materials:

- » Wood waste e.g. demolition timber, railway sleepers, treetops and branches, bark, offcuts from industries etc.
- » Household waste.
- » Industrial waste of different kinds.
- » Commercial waste, packing materials.

Finished products:

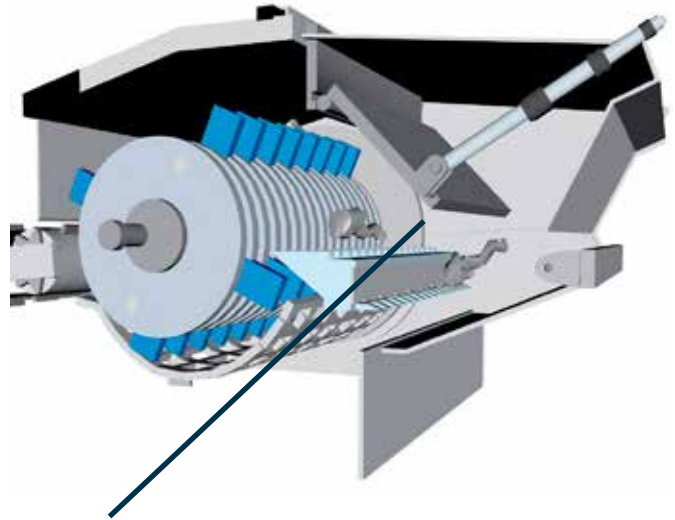
Are being used as fuel for energy production or for compost or just for volume reduction.

Particle size of finished products:

The hammermill's design allows for a large variety of the finished products' particle size. Typical finished products are e.g. between 0-50, 0-100 and 0-250 mm.

Contaminations:

The hammermill has a mechanical safety device in form of a reject door which opens in case of pressure from uncrushable objects. Stones will be crushed.



FlexRejectDoor™

This is a safety device which protects the mill from damage and stoppages if any uncrushable material is fed in by mistake.

DATA

Dimensions transport L/W/H	11,5 / 2,6 / 4,3
Total weight:	~35 ton
Feed opening dimensions, width / height	1,5 m / 0,8 m
Feedroller diameter:	0,8 m
Feeder	4,5 / 1,5 (6m3)
Rotor weight	~4 tons
No. of hammers / Weight of hammer	48 pcs / 11kg
Rotor diameter/tip to tip	1200 mm
Rotor speed:	~880 rpm
Engine:	Scania DC16 Stage 5
Enginepower:	670 - 770hp (1025hp)
Magnet type:	Elme permanent cross belt magnet
Endmagnet in driven drum	Yes
Discharge belt width	1,2 m
Discharge belt - dropping height	4,5 m





Solutions for industrial recycling

Headquarter, Trollhättan

Postal and delivery address

IQR Systems AB
Stallbackavägen 26
461 38 Trollhättan
Sweden



Phone & E-mail

Office: +46 520-48 58 80
info@iqr.se

Online

Webb & social media

www.iqr.se

 @IQRsystems
 @IQRsystems
 IQRsystems
 IQRsystems